



Public clock 973

Description
Threesided illuminated public clock on column

Design
EUROmodul Design Studio

Construction
Zincd steel in antracit colour (RAL 7016 or other colour on request) or stainless steel AISI 304

Moutage
With anchors according to technical descriptions.

Equipment
Clock is possible to combine with digital date and temperature, bench or seats.

Public clock 973 threesided

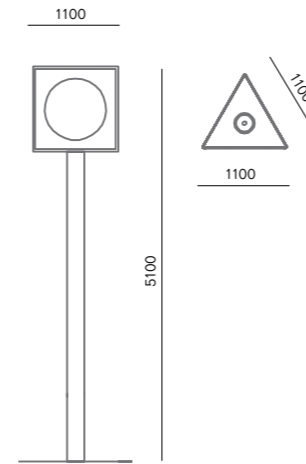
construction	height	code
antracit RAL 7016 or on request	5100 mm	973 100
stainless steel AISI 304	5100 mm	973 101

additional equipment

bench		
Stainless steel seat AISI 304		970 001
Round stainless steel bench AISI 304		970 002
Seat in antracit colour RAL 7016		970 003
Round stainless steel bench AISI 304		970 004

litter bin		
see litter bin 336 - ROBUSTUS		

LED display		
date and temperature threesided		973 013



Public clock 974

Description
Foursided illuminated public clock on column

Design
EUROmodul Design Studio

Construction
Zincd steel in antracit colour (RAL 7016 or other colour on request) or stainless steel AISI 304

Moutage
With anchors according to technical descriptions.

Equipment
Clock is possible to combine with digital date and temperature, bench or seats.

Public clock 974 foursided

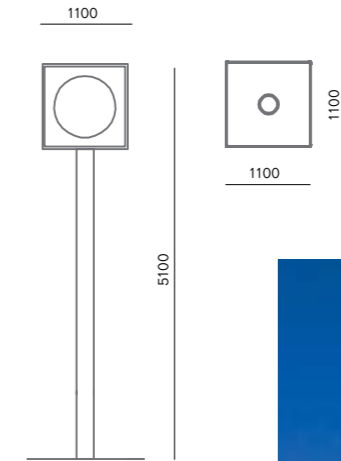
construction	height	code
antracit RAL 7016 or on request	5100 mm	974 100
stainless steel AISI 304	5100 mm	974 101

additional equipment

bench		
Stainless steel seat AISI 304		970 001
Round stainless steel bench AISI 304		970 002
Seat in antracit colour RAL 7016		970 003
Round stainless steel bench AISI 304		970 004

litter bin		
see litter bin 336 - ROBUSTUS		

LED display		
date and temperature twosided		974 012
date and temperature foursided		974 014



Info pillar 905

Construction

Zincd steel in antracit colour (RAL 7016 or other colour on request).

Mountage

On concrete foundations according to technical documentation.

Options

Roof designed for text, halogen reflectors illuminate advertising surface by night.

Info pillar 905 rounded

type	code
basic info pillar	905 100

additional equipment

illumination	
halogen illumination	905 101
roof	
casted roof	905 102
stainless steel roof	905 103

Info pillar 906

Construction

Zincd steel in antracit colour (RAL 7016 or other colour on request) or stainless steel AISI 304.

Mountage

On concrete foundations according to technical documentation.

Illumination

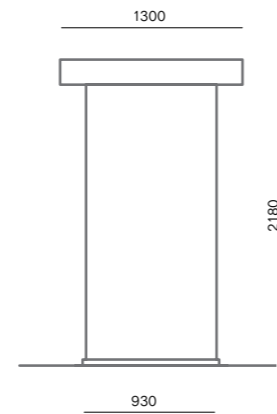
Backside, fluo

Options

Roof designed for text, halogen reflectors illuminate advertising surface by night.

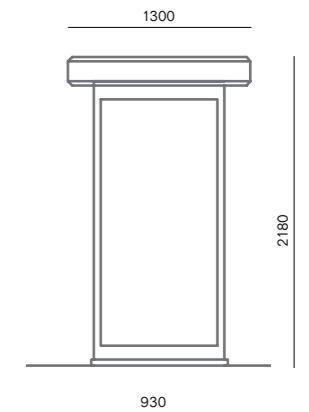
Info pillar 906

construction	code
antracit RAL 7016 or on request	906 101
stainless steel AISI 304	906 102



pillar 905 with stainless steel roof

halogen illumination in stainless steel roof



Info pillar 910

Construction

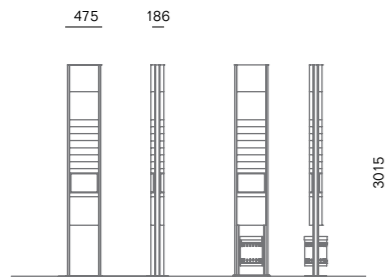
Zincd steel in antracit colour (RAL 7016 or other colour on request) or stainless steel AISI 304.

Description

Informative column for bus stops and tram stations

Mountage

On concrete foundations according to technical documentation.



Info pillar 910

construction	type	code
antracit RAL 7016 or on request	basic pillar	910 101
	with litter bin	910 102
stainless steel AISI 304	basic pillar	910 103
	with litter bin	910 104



Info pillar 911

Construction

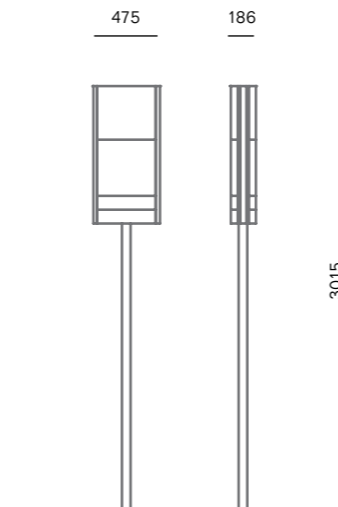
Zincd steel in antracit colour (RAL 7016 or other colour on request) or stainless steel AISI 304

Description

Informative column for bus stops and tram stations with possibility of litter bin

Mountage

On concrete foundations according to technical documentation



Info pillar 911

type	code
antracit RAL 7016 or on request	911 101
stainless steel AISI 304	911 102

additional equipment

litter bin

see litter bin 336 - ROBUSTUS





Info pillar 912

Construction

Zincod steel in antracit colour (RAL 7016 or other colour on request) or stainless steel AISI 304.

Mountage

On concrete foundations according to technical documentation.

Description

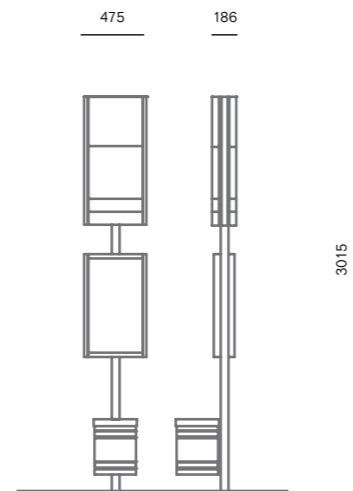
Informative column for bus stops and tram stations with possibility of litter bin implementation.

Info pillar 912

type	code
antracit RAL 7016 or on request	912 101
stainless steel AISI 304	912 102

additional equipment

litter bin
see litter bin 336 - ROBUSTUS



Info pillar 913

Construction

Zincod steel in antracit colour (RAL 7016 or other colour on request) or stainless steel AISI 304.

Mountage

On concrete foundations according to technical documentation.

Illumination

backside, fluo.

Description

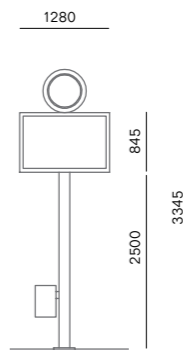
Informative advertising pillar with public clock and litter bin.

Info pillar 911

type	code
antracit RAL 7016 or on request	913 101
stainless steel AISI 304	913 102

additional equipment

litter bin
see litter bin 336 - ROBUSTUS





Info pillar 914

Design
EUROmodul Design Studio

Construction
Zincated steel in antracit colour (RAL 7016 or other colour on request) or stainless steel AISI 304.

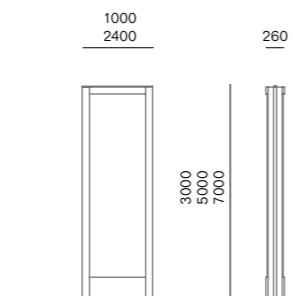
Mountage
On concrete foundations according to technical documentation.

Illumination
Backside, fluo

Options
Informative advertising pillar - totem can be manufactured according request, with 3D letters on demand.

Info pillar 914 totem

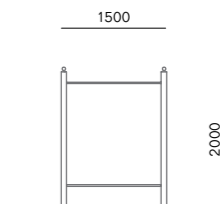
type	dimensions w x h	code
	1000 x 3000 mm	914 103
	1000 x 5000 mm	914 105
antracit RAL 7016 or on request	1000 x 7000 mm	914 106
	2400 x 7000 mm	914 107
	1000 x 3000 mm	914 113
	1000 x 5000 mm	914 115
stainless steel AISI 304	1000 x 7000 mm	914 116
	2400 x 7000 mm	914 117



totem 914 117
with backside text illumination (custom made)
height 7,0 m
width 2,4 m



totem 914 116
with backside illumination
height 7,0 m
width 1,0 m



Info pillar 914

Placate dimensions
W x h = 1350 x 1440 mm

Design
EUROmodul Design Studio

Construction
Zincated steel in antracit colour (RAL 7016 or other colour on request) or stainless steel AISI 304.

Mountage
On concrete foundations with plate according to technical documentation.

Informative board 915

construction	code
antracit RAL 7016 or on request	915 101
stainless steel AISI 304	915 102



totem 914 115
with backside illumination under 3D text and ,shop' sign (custom made)
height 5,0 m
width 1,0 m

915 101
gray colour
with town sign



Info pillar 916
advertising, multipurpose

Description
Illuminated advertising pillar with decorative round roof.

Design
Šček Cindrić Design Studio patented.

Construction
Zinc steel in antracit colour (RAL 7016 or other colour on request) or stainless steel AISI 304.

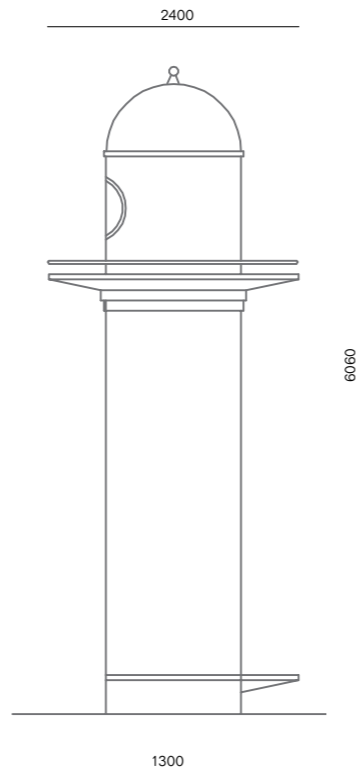
Advertising surfaces
6 standard advertising surfaces with a possibility of mutual joining in height to obtain 3 bigger surfaces. Advertising surfaces can be made as ROTATING.

Placate
Placate dimensions W x h = 1185 x 1745 mm

Mountage
On concrete foundations according to technical documentation.

Illumination
Backside, fluo

Options
Bench, info kiosk, bancomat, telephone, public toilet or other unit implementation.



Multipurpose pillar 916 infaro

type	code
antracit RAL 7016 or on request	916 101
stainless steel AISI 304	916 102

additional equipment

bench	
round with wood	916 010
round with exotic wood	916 011
round stainless steel AISI 304	916 012

clock	
digital onesided, LED*	916 041
digital twosided, LED*	916 042
analog onesided**	916 043
analog twosided**	916 043

other options	
wind direction with N / W / S / E sign, stainless steel	916 001
for info kiosk, bancomat or barometer	916 005
public toilet as part of pillar	916 020
rotating advertising surface	916 030
round roof	916 003

*with date and temperature

**with battery and selfregulation for correct time

note: clock implementation raises the pillar height



Info pillar 917 advertising, multipurpose

Description
Illuminated advertising pillar.

Design
EUROmodul Design Studio

Construction
Zincated steel in antracit colour (RAL 7016 or other colour on request) or stainless steel AISI 304.

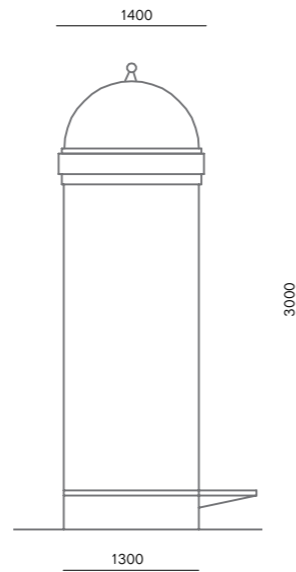
Advertising surfaces
6 standard advertising surfaces with a possibility of mutual joining in height to obtain 3 bigger surfaces. Advertising surfaces can be made as ROTATING.

Placate
Placate dimensions
W x h = 1185 x 1745 mm

Mountage
On concrete foundations according to technical documentation.

Illumination
Backside, fluo.

Options
Bench, info kiosk, bancomat, telephone, public toilet or other unit implementation.



Multipurpose pillar 917

type	code
antracit RAL 7016 or on request	917 101
stainless steel AISI 304	917 102



additional equipment

bench	
round with wood	916 010
round with exotic wood	916 011
round stainless steel AISI 304	916 012

clock	
digital onesided, LED*	916 041
digital twosided, LED*	916 042
analog onesided**	916 043
analog twosided**	916 043

other options	
wind direction with N / W / S / E sign, stainless steel	916 001
for info kiosk, bancomat or barometer	916 005
public toilet as part of pillar	916 020
rotating advertising surface	916 030
casted roof	916 003
round roof	916 004

*with date and temperature

**with battery and selfregulation for correct time

note: clock implementation raises the pillar height



Info pillar 919

Description
Column for bus and tram stops with multipurpose LED display with station name sign and map

Design
EUROmodul Design Studio

Construction
Zincated steel in antracit colour (RAL 7016 or other colour on request) or stainless steel AISI 304

Mountage
On concrete foundations according to technical descriptions.

Options
Placate dimensions
W x h = 1185 x 1745 mm



Info pillar 919

type	code
antracit RAL 7016 or on request	919 101
stainless steel AISI 304	919 102

additional equipment

advertising surface	
advertising surface	919 201
unit	
multipurpose LED display	919 210

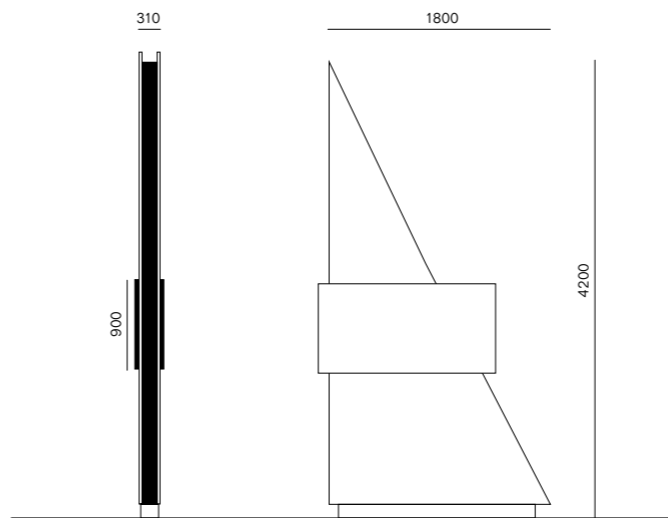
Info pillar 930

Description
Totem with twosided backlight illuminated sign

Design
EUROmodul Design Studio

Construction
Zincated steel in antracit colour (RAL 7016 or other colour on request) or stainless steel AISI 304.

Mountage
On concrete foundations according to technical documentations.



Info pillar 930

type	code
antracit RAL 7016 or on request	930 101
HPL laminate (color RAL chart)	930 103
stainless steel AISI 304	930 102

additional equipment

type	code
backlight illuminated totem sign	930 501



▼ info display made by german company



Info pillar 922

Description

Road sign with modular signalisation.

Design

EUROmodul Design Studio

Construction

Zincd steel in antracit colour (RAL 7016 or other colour on request) or stainless steel AISI 304.

Mountage

Anchored in concrete foundation according to technical documentation.

Multipurpose pillar 922

type	code
antracit RAL 7016 or on request	922 101
stainless steel AISI 304	922 102

additional equipment

modular plate	
roadsign plate dim. 1000 x 300 mm, piece	922 001

