

City Light 801

Description

Advertising vitrine, placed as selfstanding, in bus shelters, on kiosks, multipurpose columns, etc.

Design

EUROmodul Design Studio

Construction

Non-visible construction made from zinced steel, outer parts from eloxated aluminium

Placate dimensions

CITY LIGHT

W x h = 1185 x 1745 mm

Doors

Eloxated aluminium, safety glass 5 mm, 2 shock absorbers on each door, special lock with key

Illumination

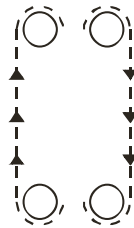
4 x 58W longlife fluo tubes, milk acrylate 4 mm for even light dispersion

Mountage

Before mountage, steel anchor is layed in concrete with 3 x 2,5 mm power cable according to specifications.

Options

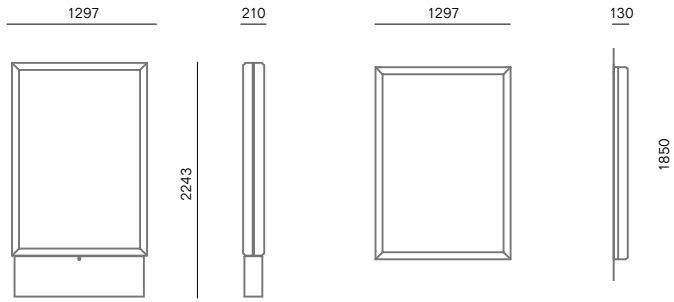
Possibility of individual colour (on RAL chart)



City light 801

construction	advertising surface	code
wall mounted	fixed placate	801 101
	ROTATING placate	801 102
selfstanding onesided	fixed placate	801 103
	ROTATING placate	801 104
selfstanding twosided	twosided fixed	801 201
	fixed /ROTATING	801 202
	bothsided ROTATING	801 203





City Light 802

Description

Advertising vitrine, placed as selfstanding, in bus shelters, on kiosks, multipurpose columns, etc.

Design

EUROmodul Design Studio

Construction

Non-visible construction made from zinced steel, outer parts from eloxated aluminium

Placate dimensions

CITY LIGHT

W x h = 1185 x 1745 mm

Doors

Eloxated aluminium, safety glass 5 mm, 2 shock absorbers on each door, special lock with key

Illumination

4 x 58W longlife fluo tubes, milk acrylate 4 mm for even light dispersion

Mountage

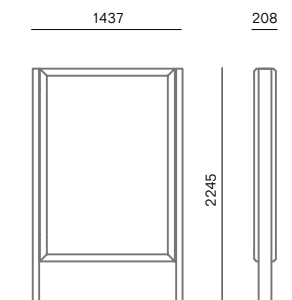
Before mountage, steel anchor is layed in concrete with 3 x 2,5 mm power cable according to specifications.

Options

Possibility of individual colour (on RAL chart)

City light 802

type	advertising surface	code
wall mounted	fixed placate	802 101
	ROTATING placate	802 102
selfstanding onesided	fixed placate	802 103
	ROTATING placate	802 104
selfstanding twosided	twosided fixed	802 201
	fixed /ROTATING	802 202
	bothsided ROTATING	802 203



City Light 803

Description

Advertising vitrine, placed as selfstanding

Design

EUROmodul Design Studio

Construction

Non-visible construction made from zinced steel, outer parts from eloxated aluminium

Placate dimensions CITY LIGHT

W x h = 2500 x 1745 mm

Doors

Eloxated aluminium, safety glass 5 mm, 2 shock absorbers on each door, special lock with key

Illumination

6 x 58W longlife fluo tubes, milk acrylate 4 mm for even light dispersion

Mountage

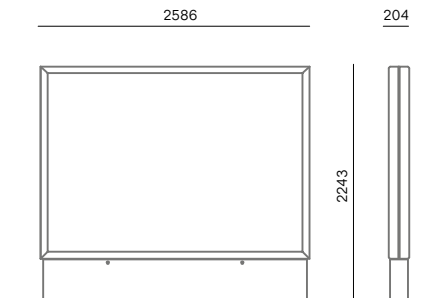
Before mountage, steel anchor is layed in concrete with 3 x 2,5 mm power cable according to specifications.

Options

Possibility of individual colour (on RAL chart) or additional LED DISPLAY.

City light 803

type	advertising surface	code
selfstanding onesided	fixed placate	803 101
	ROTATING placate	803 102
selfstanding twosided	twosided fixed	803 201
	fixed /ROTATING	803 202
	bothsided ROTATING	803 203



City Light 804

Description

Oval advertising vitrine, placed as selfstanding, in bus shelters, on kiosks, multipurpose columns, etc..

Design

Šček Cindrić Design Studio

Construction

Zincod steel standardly in antracit colour RAL 7016 or on request or stainless steel AISI 304

Placate dimensions

CITY LIGHT

W x h = 1185 x 1745 mm

Vitrine

eloxated aluminium, safety glass 5 mm, 2 shock absorbers on each door, special lock with key

Illumination

4 x 58W longlife fluo tubes, milk acrylate 4 mm for even light dispersion

Mountage

Before mountage, steel anchor is layed in concrete with 3 x 2,5 mm power cable according to specifications.

Options

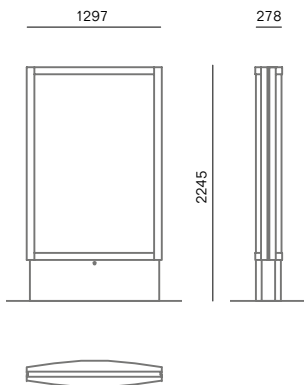
Possibility of individual colour (on RAL chart)

City light 804

construction	type	advertising surface	code
antracit RAL 7016 or on request	onesided	fixed	807 101
		ROTATING	807 102
	twosided	bothside fixed	807 201
		fixed / ROTATING	807 202
stainless steel AISI 304	onesided	bothside ROTATING	807 203
		fixed	807 301
	twosided	ROTATING	807 302
		bothside fixed	807 401
	twosided	fixed / ROTATING	807 402
		bothside ROTATING	807 403

additional equipment

clock		
onesided analog clock		807 001
twosided analog clock		807 002



City Light 805

Description

Advertising space threesided, arched

Design

EUROmodul Design Studio

Construction

Non-visible construction made from zinced steel, outer parts from eloxated aluminium

Placate dimensions CITY LIGHT

W x h = 1185 x 1745 mm

Doors

Eloxated aluminium, safety glass 5 mm, 2 shock absorbers on each door, special lock with key

Illumination

6 x 58W longlife fluo tubes, milk acrylate 4 mm for even light dispersion

Mountage

Before mountage, steel anchor is layed in concrete with 3 x 2,5 mm power cable according to specifications.

Options

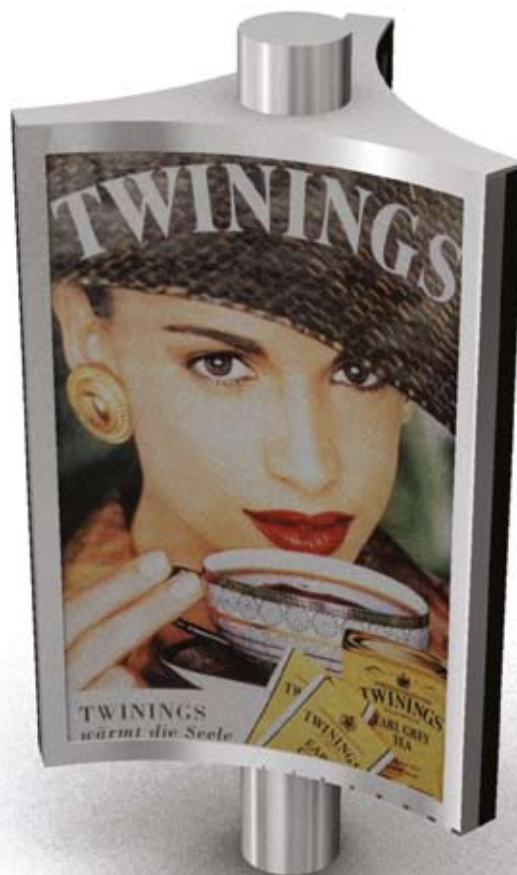
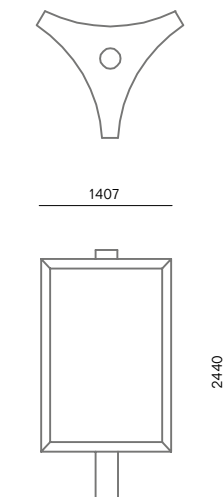
Possibility of individual colour (on RAL chart)

City light 805

construction	type	code
antracit RAL 7016 or on request	fixed	805 101
	ROTATING	805 102
stainless steel AISI 304	fixed	805 201
	ROTATING	805 202

additional equipment

glass	code
arched glass laminated 4 + 4 mm	805 001
clock	code
threesided analog clock, total height 5000 mm	805 002



City Light 807

Description

Advertising space with possibility of clock implementation

Design

EUROmodul Design Studio

Construction

Zincated steel standardly in antracit colour RAL 7016 or on request or stainless steel AISI 304

Placate dimensions CITY LIGHT

W x h = 1185 x 1745 mm

Doors

Eloxated aluminium, safety glass 5 mm, 2 shock absorbers on each door, special lock with key

Illumination

4 x 58W longlife fluo tubes, milk acrylate 4 mm for even light dispersion

Mountage

Before mountage, steel anchor is layed in concrete with 3 x 2,5 mm power cable according to specifications.

Options

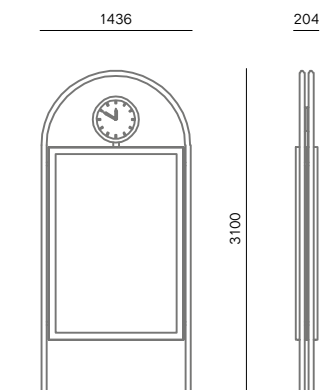
Possibility of individual colour (on RAL chart)

City light 807

construction	type	advertising surface	code
antracit RAL 7016 or on request	onesided	fixed	807 101
		ROTATING	807 102
	twosided	bothside fixed	807 201
		fixed / ROTATING	807 202
stainless steel AISI 304	onesided	bothside ROTATING	807 203
		fixed	807 301
	twosided	ROTATING	807 302
		bothside fixed	807 401
	twosided	fixed / ROTATING	807 402
		bothside ROTATING	807 403

additional equipment

clock		
onesided analog clock		807 001
twosided analog clock		807 002



807 401
with analog clock
807 002



City Light 808

Description

Advertising vitrine, placed as self-standing, in bus shelters, on kiosks, multipurpose columns, etc.

Design

EUROmodul Design Studio

Construction

Non-visible construction made from zinced steel, outer parts from eloxated aluminium

Placate dimensions CITY LIGHT

W x h = 1185 x 1745 mm

Doors

Eloxated aluminium, safety glass 5 mm, 2 shock absorbers on each door, special lock with key

Illumination

4 x 58W longlife fluo tubes, milk acrylate 4 mm for even light dispersion

Mountage

Before mountage, steel anchor is layed in concrete with 3 x 2,5 mm power cable according to specifications.

Options

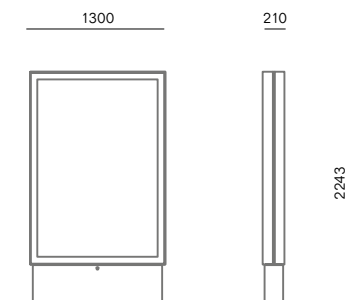
Possibility of individual colour (on RAL chart)

City light 808

type	advertising surface	code
wall mounted	fixed placate	808 101
	ROTATING placate	808 102
selfstanding onesided	fixed placate	808 103
	ROTATING placate	808 104
selfstanding twosided	twosided fixed	808 201
	fixed /ROTATING	808 202
	bothsided ROTATING	808 203

additional equipment

clock		
onesided digital LED*		808 001
twosided digital LED*		808 002
*with date and termometer, equipment raises basic CL height		



808 201
with digital
LED display
807 002



City Light 809

Description

Advertising vitrine, placed as selfstanding, in bus shelters, on kiosks, multipurpose columns, etc..

Design

EUROmodul Design Studio

Construction

Zincd steel standardly in antracit colour RAL 7016 or on request or stainless steel AISI 304

Placate dimensions CITY LIGHT

W x h = 1185 x 1745 mm

Doors

Zincd construction, safety glass 5 mm with glass print, 2 shock absorbers on each door, special lock with key

Illumination

4 x 58W longlife fluo tubes, milk acrylate 4 mm for even light dispersion

Mountage

Before mountage, steel anchor is layed in concrete with 3 x 2,5 mm power cable according to specifications.

Options

Vitrine can be made upon request with digital clock, date and temperature information

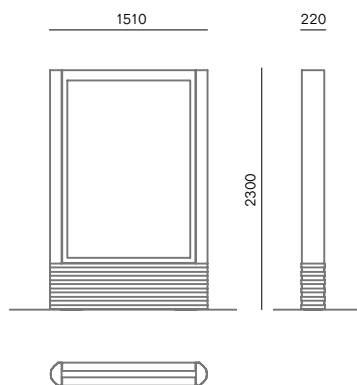
City light 809

construction	type	advertising surface	code
antracit RAL 7016 or on request	onesided	fixed	809 101
		ROTATING	809 102
	twosided	bothside fixed	809 201
		fixed / ROTATING	809 202
stainless steel AISI 304	onesided	bothside ROTATING	809 203
		fixed	809 301
	twosided	ROTATING	809 302
		bothside fixed	809 401
		fixed / ROTATING	809 402
		bothside ROTATING	809 403

additional equipment

clock	
onesided digital LED*	809 001
twosided digital LED*	809 002

*with date and termometer, equipment raises basic CL height



809 401
stainless steel



City Light 810

Description

Advertising vitrine, placed as selfstanding on one or two columns

Design

EUROmodul Design Studio

Construction

Zincd steel standardly in antracit colour RAL 7016 or on request or stainless steel AISI 304

Placate dimensions CITY LIGHT

W x h = 1185 x 1745 mm

Doors

Eloxated aluminium, safety glass 5 mm, 2 shock absorbers on each door, special lock with key

Illumination

4 x 58W longlife fluo tubes, milk acrylate 4 mm for even light dispersion

Mountage

Before mountage, steel anchor is layed in concrete with 3 x 2,5 mm power cable according to specifications.

Options

Vitrine can be equipped with seat, litter bin and various signage

City light 810 - 1 on one high column

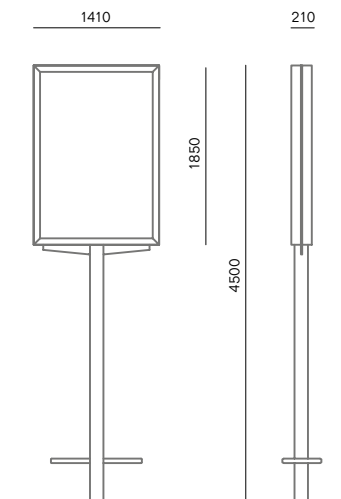
construction	type	advertising surface	code
antracit RAL 7016 or on request	onesided	fixed	810 101
		ROTATING	810 102
	twosided	bothside fixed	810 111
		fixed / ROTATING	810 112
		bothside ROTATING	810 113
stainless steel AISI 304	onesided	fixed	810 121
		ROTATING	810 122
	twosided	bothside fixed	810 131
		fixed / ROTATING	810 132
		bothside ROTATING	810 133

additional equipment

bench	code
stainless steel seat AISI 304	810 001



810 131
stainless steel



stainless steel bench
810 001

City light 810 - 2 on high column

construction	type	advertising surface	code
antracit RAL 7016 or on request	onesided	fixed	810 201
		ROTATING	810 202
	twosided	bothside fixed	810 211
		fixed / ROTATING	810 212
stainless steel AISI 304	onesided	bothside ROTATING	810 213
		fixed	810 221
	twosided	ROTATING	810 222
		bothside fixed	810 231
		fixed / ROTATING	810 232
		bothside ROTATING	810 233

additional equipment

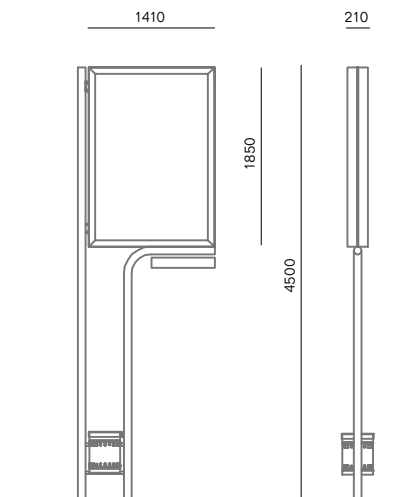
litter bin	
stainless steel AISI 304, moutage between columns	810 005
natpis	
stainless steel AISI 304, moutage between columns	810 002



◀
810 231
stainless steel,
equipment:
810 005 litter bin
810 002 sign

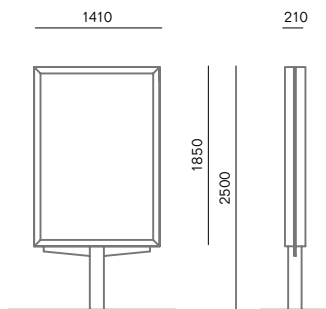


◀
equipment:
810 005
posuda stainless
steel



City light 810 - 3 on one lower column

construction	type	advertising surface	code
antracit RAL 7016 or on request	onesided	fixed	810 301
		ROTATING	810 302
	twosided	bothside fixed	810 311
		fixed / ROTATING	810 312
		bothside ROTATING	810 313
stainless steel AISI 304	onesided	fixed	810 321
		ROTATING	810 322
	twosided	bothside fixed	810 331
		fixed / ROTATING	810 332
		bothside ROTATING	810 333

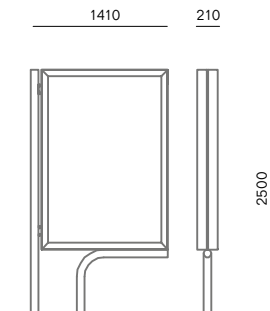


▶
810 331
stainless steel



City light 810 - 4 on two columns, lower

construction	type	advertising surface	code
antracit RAL 7016 or on request	onesided	fixed	810 401
		ROTATING	810 402
	twosided	bothside fixed	810 411
		fixed / ROTATING	810 412
		bothside ROTATING	810 413
stainless steel AISI 304	onesided	fixed	810 421
		ROTATING	810 422
	twosided	bothside fixed	810 431
		fixed / ROTATING	810 432
		bothside ROTATING	810 433



▶
810 431
stainless steel

City Light 811

Description

Advertising surface with heavy basement that makes it transportable - mountage without basement preparations. Basement is statically calculated

Design

EUROmodul Design Studio

Construction

Zincd steel standardly in antracit colour RAL 7016 or on request or stainless steel AISI 304

Placate dimensions CITY LIGHT

W x h = 1185 x 1745 mm

Doors

Eloxated aluminium, safety glass 5 mm, 2 shock absorbers on each door, special lock with key

Illumination

4 x 58W longlife fluo tubes, milk acrylate 4 mm for even light dispersion

Mountage

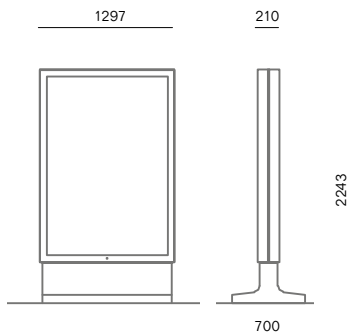
On flat surface according specifications.

Options

Advertising can be made with ROTATING placats

City light 811

construction	type	code
antracit RAL 7016 or on request	onesided	811 101
	twosided	811 201
stainless steel AISI 304	onesided	811 102
	twosided	811 202



▶
811 202
stainless steel



City Light 812

Description

Illuminated advertising window with rounded corners for layout without complex basement preparation.

Design

EUROmodul Design Studio

Construction

Zincated steel standardly in antracit colour RAL 7016 or on request or stainless steel AISI 304

Placate dimensions CITY LIGHT

W x h = 1185 x 1745 mm

Doors

Zincated construction, safety glass 5 mm with glass print, 2 shock absorbers on each door, special lock with key

Illumination

4 x 58W longlife fluo tubes, milk acrylate 4 mm for even light dispersion

Mountage

On flat surface according specifications.

Options

Stainless steel seats, advertising can be made with ROTATING placats

City light 812

construction	type	code
antracit RAL 7016 or on request	onesided	812 101
	twosided	812 201
stainless steel AISI 304	onesided	812 102
	twosided	812 202

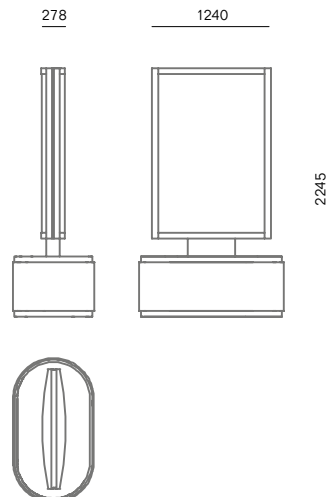
additional equipment

bench	
bench stainless steel AISI 304 doublesided	812 001

812 102
stainless steel



812 102
stainless steel,
equipment:
812 001
stainless steel bench



City Light 816

Description

Illuminated advertising window

Design

EUROmodul Design Studio

Construction

Zincated steel standardly in antracit colour RAL 7016 or on request or stainless steel AISI 304

Placate dimensions

CITY LIGHT

W x h = 1185 x 1745 mm

Doors

Eloxated aluminium, safety glass 5 mm, 2 shock absorbers on each door, special lock with key

Illumination

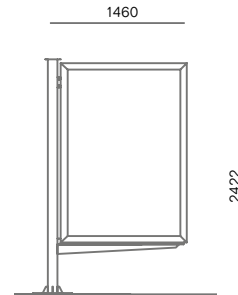
4 x 58W longlife fluo tubes, milk acrylate 4 mm for even light dispersion

Mountage

Before mountage, steel anchor is layed in concrete with 3 x 2,5 mm power cable according to specifications.

City light 816

construction	type	advertising surface	code
antracit RAL 7016 or on request	onesided	fixed	816 101
		ROTATING	816 102
	twosided	bothside fixed	816 121
		fixed / ROTATING	816 122
stainless steel AISI 304	onesided	bothside ROTATING	816 123
		fixed	816 201
	twosided	ROTATING	816 202
		bothside fixed	816 221
	twosided	fixed / ROTATING	816 222
		bothside ROTATING	816 223



City Light 813

Description

Illuminated advertising window

Design

EUROmodul Design Studio

Construction

Zincated steel standardly in antracit colour RAL 7016 or on request or stainless steel AISI 304

Placate dimensions

CITY LIGHT

W x h = 1185 x 1745 mm

Doors

Zincated construction, safety glass 5 mm with glass print, 2 shock absorbers on each door, special lock with key

Illumination

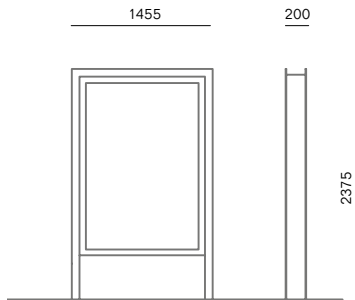
4 x 58W longlife fluo tubes, milk acrylate 4 mm for even light dispersion

Mountage

Before mountage, steel anchor is layed in concrete with 3 x 2,5 mm power cable according to specifications.

City light 813

construction	type	advertising surface	code
antracit RAL 7016 or on request	onesided	fixed	813 101
		ROTATING	813 102
	twosided	bothside fixed	813 121
		fixed / ROTATING	813 122
stainless steel AISI 304	onesided	bothside ROTATING	813 123
		fixed	813 201
	twosided	ROTATING	813 202
		bothside fixed	813 221
		fixed / ROTATING	813 222
		bothside ROTATING	813 223



▶
813 121
antracit colour



City Light 814

Description

Illuminated advertising window with bench

Design

EUROmodul Design Studio

Construction

Zincated steel standardly in antracit colour RAL 7016 or on request or stainless steel AISI 304

Placate dimensions

CITY LIGHT

W x h = 1185 x 1745 mm

Doors

Zincated construction, safety glass 5 mm with glass print, 2 shock absorbers on each door, special lock with key

Illumination

4 x 58W longlife fluo tubes, milk acrylate 4 mm for even light dispersion

Mountage

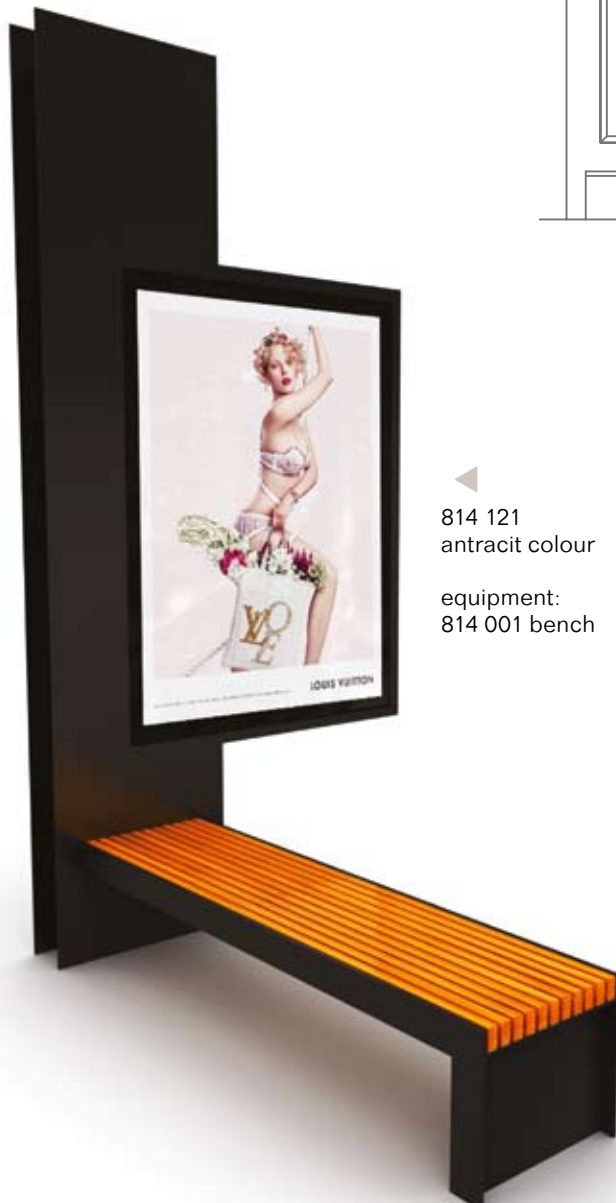
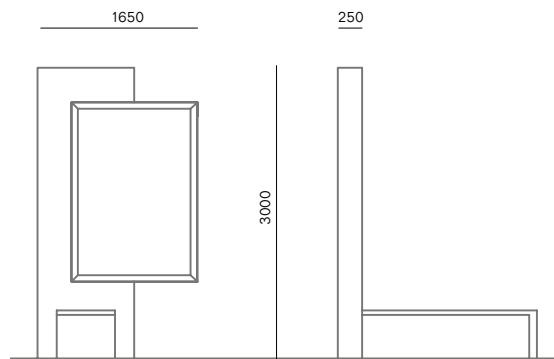
Before mountage, steel anchor is layed in concrete with 3 x 2,5 mm power cable according to specifications.

City light 814

construction	type	advertising surface	code
antracit RAL 7016 or on request	onesided	fixed	814 101
		ROTATING	814 102
	twosided	bothside fixed	814 121
		fixed / ROTATING	814 122
stainless steel AISI 304	onesided	bothside ROTATING	814 123
		fixed	814 201
	twosided	ROTATING	814 202
		bothside fixed	814 221
		fixed / ROTATING	814 222
		bothside ROTATING	814 223

additional equipment

bench	code
bench threeseater iroko	814 001



814 121
antracit colour

equipment:
814 001 bench

City Light ROTATING

Note

Every CITY LIGHT can be made with ROTATING placats

Handling

Placate weight 100 to 200 g/m². Placate changing speed is aprox. 50 cm in second.

Programmability

Placate time layout is individually programmed. The system can handle up to 15 placats, but mostly 3-5 placats are used.

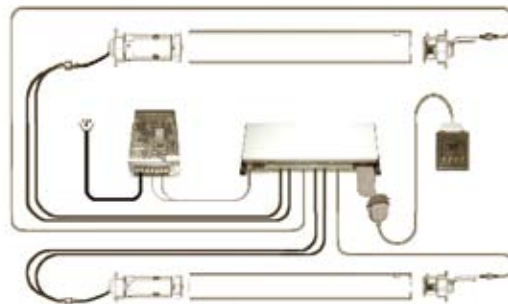
Placate dimensions CITY LIGHT

W x h = 1185 x 1745 mm
mutually connected with ZIP patent

▼ upper placate position



▼ lower placate position

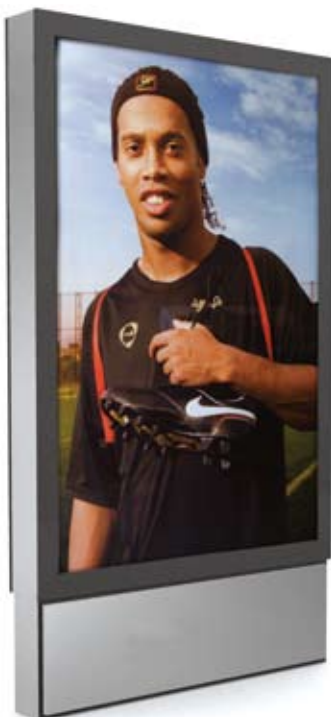


◀ schematic of ROTATING installation

▶ ROTATING system programmer



ROTATING placate
CITY LIGHT 808



City Light 820

Description

Illuminated advertising window for public illumination columns, with rapid placate changing system as City Lights

Lower part of vitrine with ladder hanger - possibility and safety of usage without car-lift

Design

EUROmodul Design Studio

Construction

Zincated steel (hidden parts) and eloxated aluminium

Placate dimensions

CITY LIGHT

W x h = 1000 x 1400 mm

Doors

Eloxated aluminium, safety glass 5 mm, 2 shock absorbers on each door, special lock with key

Illumination

3 x 36W longlife fluo tubes, milk acrylate 4 mm for even light dispersion

Mountage

On public illumination column

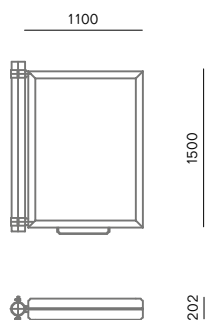
City Light 820

type

code

standard

820 101



City Light 821

Description

Illuminated advertising window for public illumination columns. Placate is glued on surface

Design

EUROmodul Design Studio

Construction

Zincd steel (non visible part), acrylate and aluminium

Placate dimensions

W x h = 700 x 900 mm

Illumination

2 x 36W longlife fluo tubes, milk acrylate 4 mm for even light dispersion

Mountage

On public illumination column

City Light 821

type

code

standard

821 101



820 101
on public
illumination
column

City Light 830

Description

Advertising surface - LCD iMotion with strong light dispersion for outdoor use with possibility of TOUCH SCREEN technology

Possibility of handling, changing and controlling on long distances.

Usage

As selfstanding onesided City Light, twosided City Light or wall mounted. Also posible mountage as part of kiosk, bus shelters etc.

Possibility of horisontal or vertical mountage, projection of FULL HD material 1080 x 1920 pixels

Mountage on individual request

City Light 830

type

code

standard onesided unit

830 001

City Light 830
TOUCH SCREEN
as part of
newspaper
kiosk

