



JUMBO PLACATS

Jumbo placate 1001

Description
Jumbo placate (billboard) for outdoor advertising

Design
EUROmodul Design Studio

Construction
Zincated steel plasticated (standardly antracit 7016 or other RAL colour on request)

Placate dimensions
Outdoor advertising standards:
w x h = 5050 x 2400 mm or 4000 x 3000 mm; other dimensions on demand

Fillings
Poliurethane pannel or zincated steel

Mountage
Before mountage, steel anchor is layed in concrete according to specifications.

Jumbo 1001

type	advertising surface w x h	
	5050 x 2400 mm	4000 x 3000 mm
wall mounted	1001 00	1001 10
selfstanding on two central pillars	onesided	1001 01
	twosided	1001 12

additional equipment

Illumination	
2 reflectors over placate with holders*	100 005
3 reflectors over placate with holders**	100 006

*for illuminating sufrage 4000 x 3000 mm
**for illuminating sufrage 5050 x 2400 mm



Jumbo placate 1002

Description
Advertising placate on two pillars

Design
EUROmodul Design Studio

Construction
Zincated steel plasticated (standardly antracit 7016 or other RAL colour on request)

Fillings
Poliurethane pannel or zincated steel

Mountage
Before mountage, steel anchor is layed in concrete with 3 x 2,5 mm power cable according to specifications.

Placate 1002

type	advertising surface w x h (mm)				
	595 x 840	1190 x 840	840 x 1190	1190 x 1680	2380 x 1680
onesided	1002 20	1002 21	1002 22	1002 23	1002 24
twosided	1002 25	1002 26	1002 27	1002 28	1002 29

Placate 1003

type	advertising surface w x h (mm)				
	595 x 840	1190 x 840	840 x 1190	1190 x 1680	2380 x 1680
onesided	1003 20	1003 21	1003 22	1003 23	1003 24
twosided	1003 25	1003 26	1003 27	1003 28	1003 29

Jumbo placate 1003

Description
Advertising placate on one central pillar

Design
EUROmodul Design Studio

Construction
Zincated steel plasticated (standardly antracit 7016 or other RAL colour on request)

Fillings
Poliurethane pannel or zincated steel

Mountage
Before mountage, steel anchor is layed in concrete according to specifications.



Jumbo placate 1004

Description

Concav jumbo placate (billboard) for outdoor advertising on central pillar

Design

Šček Cindrić Design Studio patented

Construction

Zincated steel plasticated (standardly antracit 7016 or other RAL colour on request)

Placate dimensions

Outdoor advertising standards
w x h = 5050 x 2400 mm or 4000 x 3000 mm; other dimensions on demand

Fillings

Poliurethane pannel or zincated steel

Mountage

Before mountage, steel anchor is layed in concrete according to specifications.

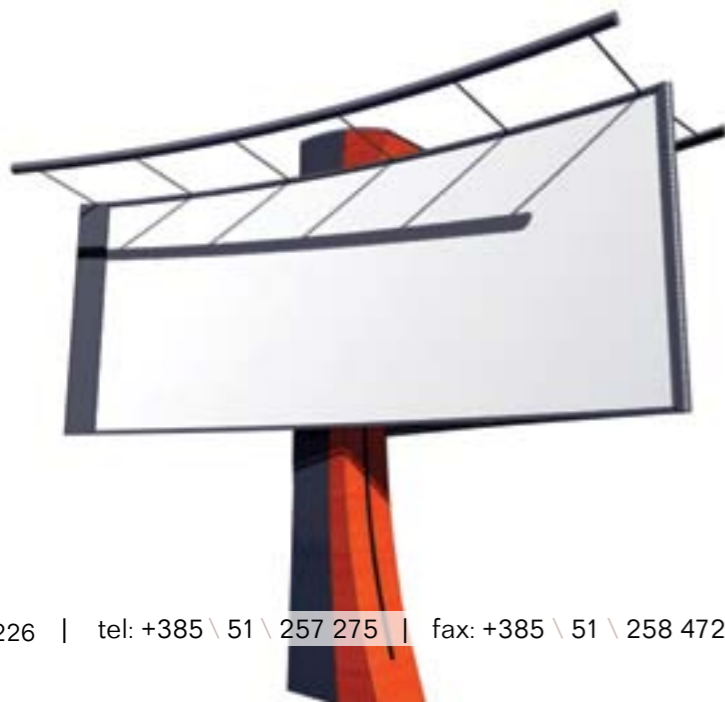
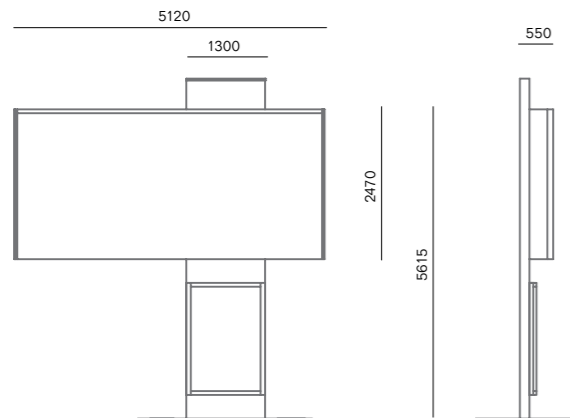
Jumbo 1004

nosivi pillar	made	advertising surface w x h (mm)	
		5050 x 2400	4000 x 3000
flat	onesided	1004 10	1004 11
	twosided	1004 12	1004 13
curved	onesided	1004 20	1004 21
	twosided	1004 22	1004 23

additional equipment

Illumination	
2 reflectors over placate with holders*	100 005
3 reflectors over placate with holders**	100 006
halogen curved illumination **	100 007

*for illuminating sufrage 4000 x 3000 mm
**for illuminating sufrage 5050 x 2400 mm



Often use on highways, near bridges and other big open field places. Additional equipment are spotlights that illuminate the entire surface of the advertising.

Jumbo placate 1010

Description

Megaboard advertising

Design

EUROmodul Design Studio

Construction

Zincated steel RAL colored (standardly antracit 7016 or other RAL colour on request) . Middle part of pillar (sides) are colored in silver RAL color.

Dimensions

w x h = 8000 x 8000 mm

Placate dimensions

W x h = 8000 x 3000 mm
W x h = 6000 x 3000 mm
W x h = 4000 x 3000 mm
other dimensions on demand

Illumination

reflectors from front side of placat

Mountage

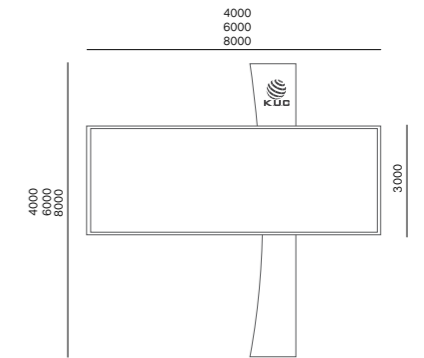
Before mountage, steel anchor is layed in concrete with power cable according to specifications.

K.U.C logo

laser cutted in top of pillar can be without or with backside neon illumination

Jumbo placate 1010

pillar	made	advertising surface w x h (mm)		
		8000 x 3000	6000 x 3000	4000 x 3000
flat	onesided	1010 30	1010 10	1010 11
	twosided	1010 32	1010 12	1010 13





Jumbo 1010
Suitable use on highways and urban city centers.

Jumbo 1010

Logo is illuminated over the night.
Logo is illuminated over the night.
Laser cutting of logo in metal sheet covered with
plexiglass from backside with LED illumination.



Closer to the road. The Golf Sportline.



Jumbo placate 1006

Description

Jumbo placate (billboard) for outdoor advertising

Design

EUROmodul Design Studio

Construction

Zinc plated steel plasticated (standardly antracit 7016 or other RAL colour on request)

Placate dimensions

Outdoor advertising standards
w x h = 5050 x 2400 mm or 4000 x 3000 mm;
other dimensions on demand

Fillings

Poliurethane pannel or zinc plated steel

Mountage

Before mountage, steel anchor is layed in concrete according to specifications.

Jumbo 1006

pillar shape	type	advertising surface w x h (mm)	
		5050 x 2400	4000 x 3000
V	onesided	1006 10	1006 11
	twosided	1006 12	1006 13
H	onesided	1006 20	1006 21
	twosided	1006 22	1006 23
II	onesided	1006 30	1006 31
	twosided	1006 32	1006 33
wall mounted		1006 40	1006 41

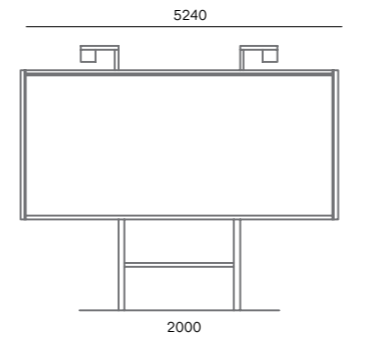
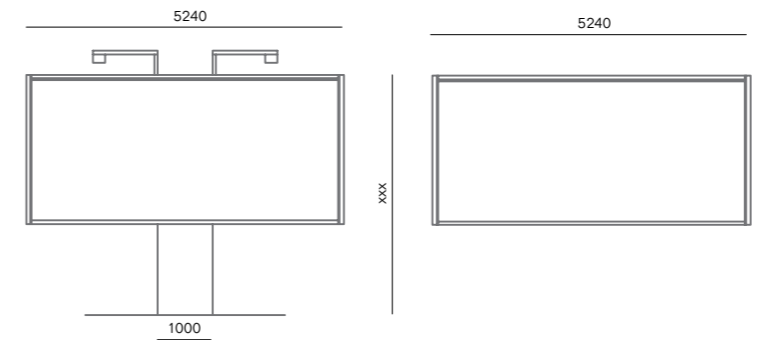
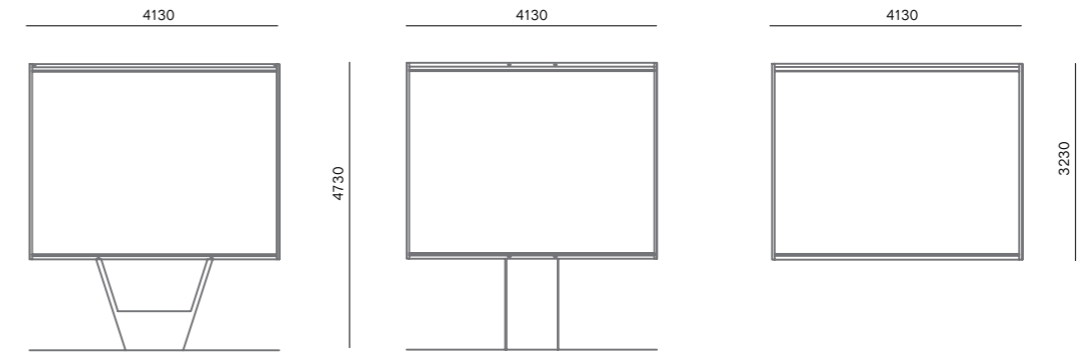
additional equipment

column cover		
for column 1006-2 antracit RAL 7016 or druga bolja po		100 628
for column 1006-2 stainless steel AISI 304		100 629
for column 1006-2 fenolni laminat u imitaciji drva		100 630

illumination		
2 reflectors over placate with holders*		100 005
3 reflectors over placate with holders**		100 006

*for illuminating sufrage 4000 x 3000 mm

**for illuminating sufrage 5050 x 2400 mm



jumbo 1006 22 with column in fenol laminat with wood pattern



jumbo 1006 22 with column in stainless steel



Jumbo placate 1009 MEGA LIGHT

Description

Backlight illuminated jumbo placate for outdoor advertising – 8,5 m2 with ROTATING possibility

Design

EUROmodul Design Studio

Construction

Zincated steel plasticated (standardly antracit 7016 or other RAL colour on request) in combination with safety laminated glass 4 + 4 mm

Dimensions

w x h = 3750 x 2780 mm

Placate dimensions

W x h = 3130 x 2300 mm

Placate dimensions

W x h = 3000 x 2177 mm
other dimensions on demand

Illumination

10 x 58 W fluo

Mountage

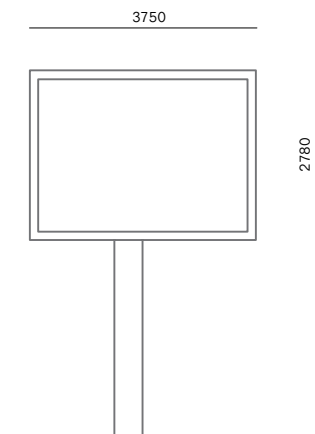
Before mountage, steel anchor is layed in concrete with 3 x 2,5 mm power cable according to specifications.

ROTATING system

Change up to 5 placates, two mors technology

Jumbo 1009

type	placate	code
wall mounted	fixed	1009 10
	ROTATING	1009 11
selfstanding	onesided fixed	1009 12
	onesided ROTATING	1009 13
	twosided bothside fixed	1009 14
	twosided fixed / ROTATING	1009 15
	twosided bothsided ROTATING	1009 16



◀ mega light wall mounted, ROTATING

